

INLGB04IRA

4.1 MP Vandal Proof Motorized Lens Bullet Network Camera w/IR, SD Slot

- Incredible 4MP Auto Focus Lens; ready-to-operate!
- H.265+ & H.264 encoding
- Smart IR, Up to 30 m (98ft) IR distance
- Increased infrared transmittance IR anti-reflection window
- Supports Micro SD Card, up to 256GB



NDAA
Compliant

Unify your Security Solution

You asked, we listened. Tailored especially for you, Legend is our **fully NDAA compliant brand**. It offers our latest technologies in a robust build with edge storage capacity. Legend by Inaxsys provides H.265+ compression and easy installation.

Smart H.265+ & H.264+

LEGEND smart encoding technology provides high-quality video with higher efficiency and also reduces the cost of storage space and transmission bandwidth by adopting an advanced algorithm of auto stream control.

Smart IR

SmartIR is a feature that enhances the infrared capabilities of a device by adjusting the intensity and focus of the IR LEDs to optimize the image quality for objects at different distances. With a range of up to 30 meters (98 feet), this feature enables the device to capture clear and detailed images even in low-light or nighttime conditions.



*Design and specifications are subjects to change without notice.



INLGB04IRA

4.1 MP Vandal Proof Motorized Lens Bullet Network Camera w/IR, SD Slot

Product Specifications

Camera					
Image Sensor	1/3", 4 Megapixel, progressive scan, CMOS				
Scanning System	Progressive				
Electronic Shutter Speed	Auto/Manual, 1~1/100,000 s				
Minimum Illumination	Color: 0.01 Lux (F1.6, AGC ON); 0 Lux with IR				
IR Distance	Distance up to 30m (98ft)				
Camera Features					
Day/Night	IR-cut filter with auto switch (ICR)				
Smart IR	Support				
White Balance	Auto/Outdoor/Fine Tune/Sodium Lamp/Locked				
Backlight Compensation	Supported				
Noise Reduction	2D/3D DNR				
Features	HLC; BLC; DWDR				
Flip	Normal/Vertical/Horizontal/180°				
Privacy Masking	Up to 4 areas				
OSD	Up to 4 OSDs				
Region of Interest	Up to 2 areas				
Motion Detection	Up to 4 areas				
Defog	Digital Defog				
Lens					
Lens Type	Motorized zoom lens				
Focal Length	2.8 ~ 12mm				
Max. Aperture	N/A				
Viewing Angle	H: 91.0° ~ 27°; 54.4° ~ 13.7°; O: 118.3° ~ 33.2°				
Iris Type	N/A				
Pan/Tilt/Rotate	Pan: 3° ~ 360°; Tilt: 0 ~ 90°; Rotate: 0 ~ 360°				
DORI Distance	Lens (mm)	Detect (m)	Observe (m)	Recognize (m)	Identify (m)
	2.8	63.0	25.2	12.6	6.3
	12	270	108	54	27
Video					
Compression	H.265+, H.265, H.264, MJPEG				
H.264 code profile	Baseline Profile, Main Profile				
Video Bit Rate	128 Kbps~16 Mbps				
Frame Rate	Main Stream: 4MP (2592*1520), Max 20fps; Sub Stream: 720P (1280*720), Max 20fps; Third Stream: D1 (704*576), Max 20fps				
Storage					
Edge Storage	Micro SD, up to 256GB				
Network Storage	ANR				

*Design and specifications are subjects to change without notice.



INLGB04IRA

4.1 MP Vandal Proof Motorized Lens Bullet Network Camera w/IR, SD Slot

Product Specifications

Network	
Ethernet	1 RJ45 10M/100M Base-TX Ethernet
Protocol	IPv4, IGMP, ICMP, ARP, TCP, UDP, DHCP, RTP, RTSP, RTCP, DNS, DDNS, NTP, FTP, UPnP, HTTP, HTTPS, SMTP, SSL, QoS
Compatibility	ONVIF (Profile S, Profile G, Profile T), API
Management Software	LEGEND VMS / ARKIV
Web Browser	Live view with plug-in required: Firefox 52 and below, Chrome 41 and below, IE9+
	Live view without plug-in: Firefox 58.0+, Chrome 57.0+, Edge 16+, Safari 11+
Certifications	
Certifications	CE: EN 60950-1 UL: UL60950-1 FCC: FCC Part 15
General	
Power Supply	DC 12V±25%, PoE (IEEE 802.3af)
Power Consumption	Less than 7W
Working Environment	-30°C to 60°C (-22°F to 140°F) / Less than 95% RH
Material	Metal
Ingress & Surge Protection	IP67; 6KV
Weight	2.2 lb (1kg)
Dimensions	240.3 × 86.4 × 75.6mm (9.46" × 3.4" × 2.98")

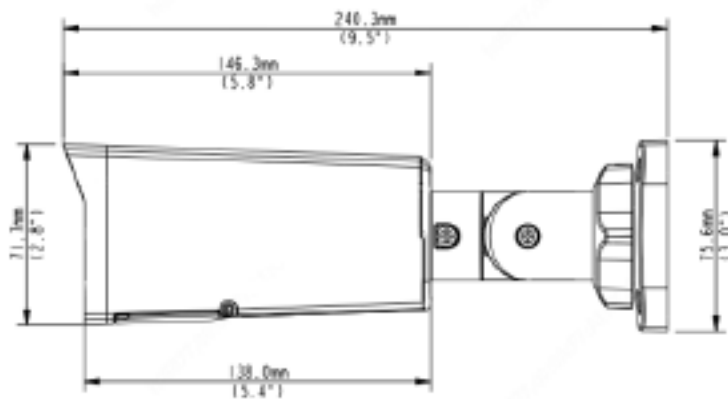
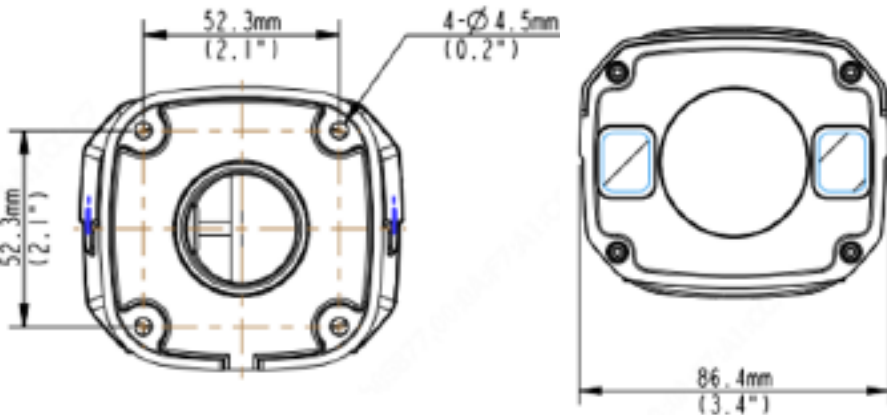
*Design and specifications are subjects to change without notice.



INLGB04IRA

4.1 MP Vandal Proof Motorized Lens Bullet Network Camera w/IR, SD Slot

Product Specifications



**XLGJB06-A
Junction Box**



**XLGJB06-A
Junction Box**



**XLGA01
Waterproof Joint**



**VUSD256G
Micro SD Card**



**XLGUP06-C
Pole Mount**

Optional



**XLGA01
Waterproof Joint**



**XLGUP06-C
Pole Mount**

*Design and specifications are subjects to change without notice.

